

# SMART LOCKER STORAGE SOLUTION

## COMPACT, SECURE STORAGE AND ACCESS POINT FOR ESSENTIALS

### Ideal for:

- Shelters
- Disaster relief
- Behavioral health facilities
- Senior and teen facilities
- Court houses
- Libraries
- Recovery centers
- Locker rooms
- Hospitals
- Airports
- Bus stations

## FEATURES

Biometric security access with profile management system |  
Mail slot | Storage and mail document shelf |  
Standard electrical power outlet

*\*Patent pending | Custom made and manufactured in the USA*



# BlessingsAndBeyond.org

## CONTACT US!

To purchase, sponsor, support or more information contact:

[robert@blessingsandbeyond.org](mailto:robert@blessingsandbeyond.org)

**509-981-7668**

The R|R Smart Locker Solution is an extension of Blessings and Beyond, a nonprofit organization that helps those in need. All profits from the sales of these lockers go to support our mission. Blessings and Beyond is a registered 501(c)(3) nonprofit organization. Tax ID (EIN) 26-1620304



# SPECIFICATIONS

## ACCESS OPTIONS

- Biometric locking system
- Profile management system

## INTERNAL FEATURES

- Mail/document shelf
- Standard power outlet

## DIMENSIONS

- 36.25"W x 36"H x 15.16"D

## CONSTRUCTION

- Industrial-grade aluminum

## FINISH

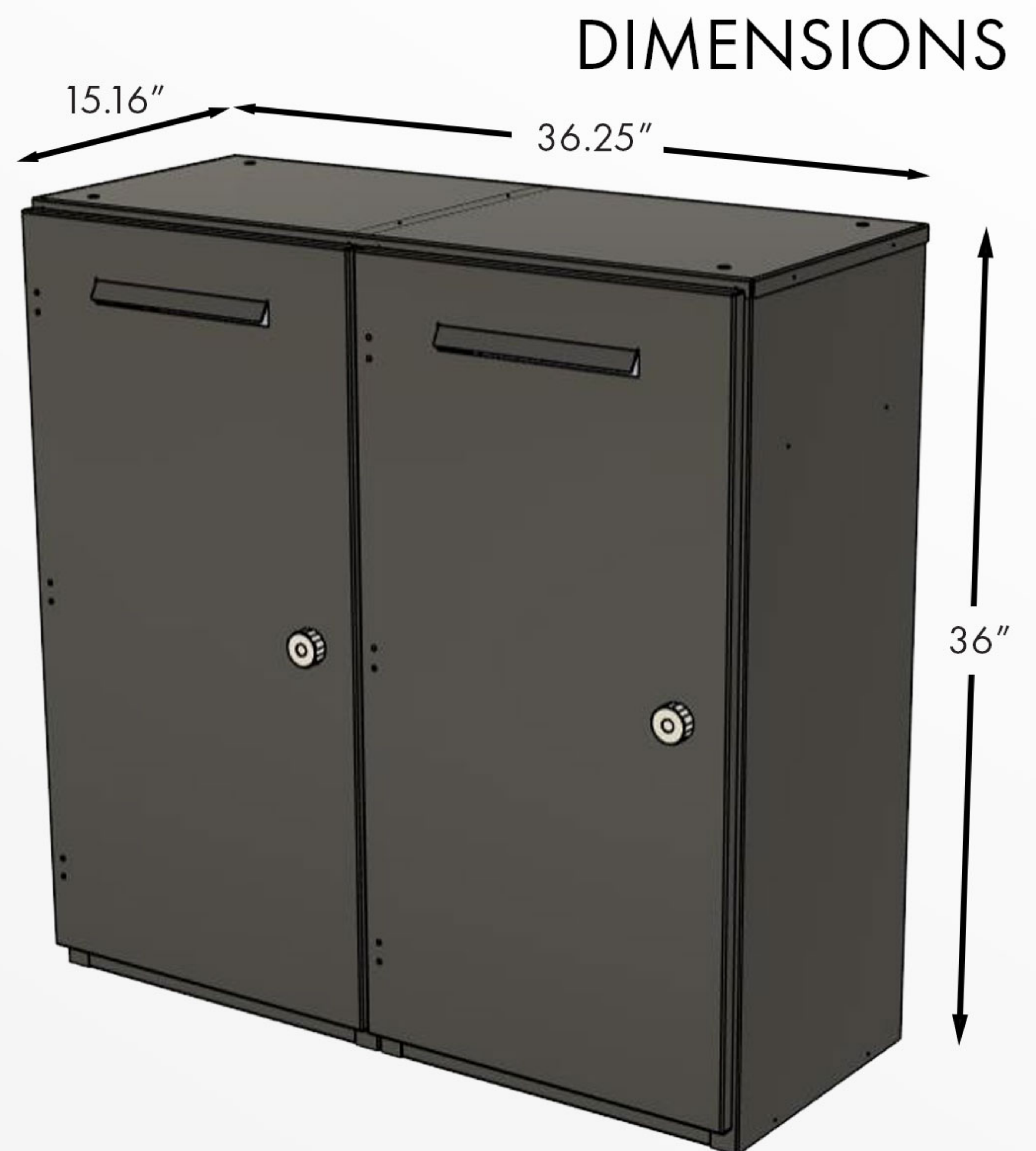
- Powder coated finish
- Alternate colors available upon request
- Logo placement option available

## INSTALLATION

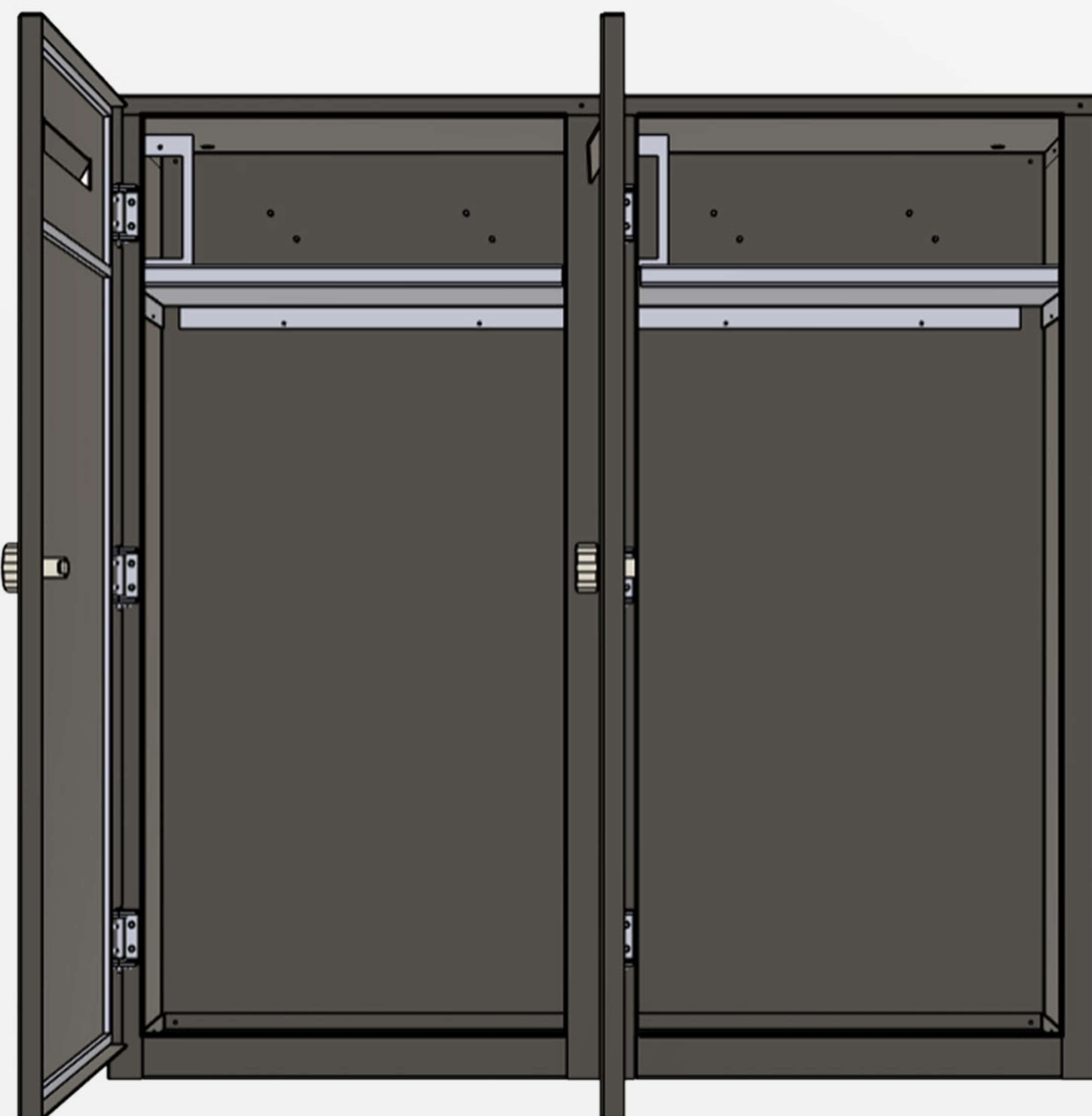
- Recommend securing to wall or floor
- Electrical wiring by licensed professional recommended

## ELECTRICAL (OPTIONAL)

- Standard GFCI power outlet



FRONT  
(OPEN)



TOP

